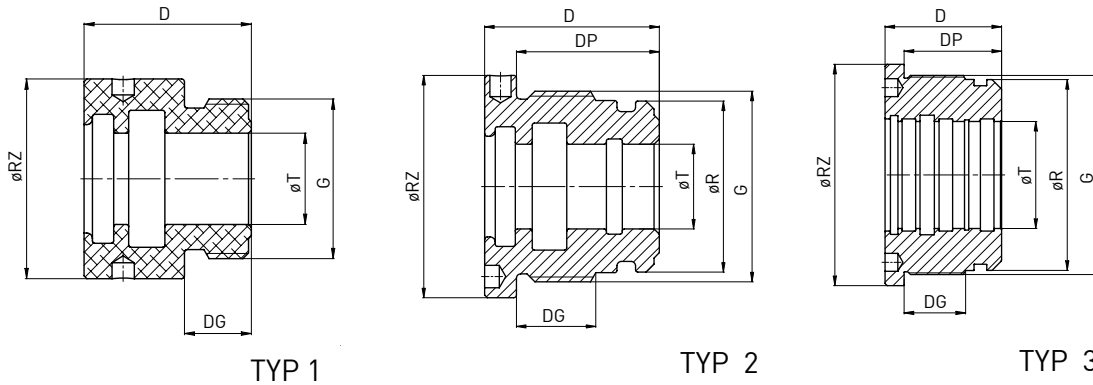


# Dławnica standardowa DS



- materiał: żeliwo G25
- \* aluminium

kod	typ	ØR	ØT	ØRZ	G	DG	D	DP	kg
DS025016030*	1	25	16	35	M28x1.5	12	30	-	0,04
DS030016033*	2	30	16	40	M34x1.5	15	33	27	0,17
DS032016033*	2	32	16	42	M36x1.5	15	33	27	0,18
DS032020033	2	32	20	"	"	"	"	"	0,17
DS035020040	2	35	20	44	M39x1.5	19	40	32	0,19
DS035022040	2	35	22	"	"	"	"	"	0,17
DS040020040	2	40	20	49	M44x1.5	19	40	32	0,28
DS040022040	2	40	22	"	"	"	"	"	0,26
DS040025040	2	40	25	"	"	"	"	"	0,23
DS040028040	2	40	28	"	"	"	"	"	0,2
DS045022040	2	45	22	54	M49x1.5	19	40	32	0,36
DS045025040	2	45	25	"	"	"	"	"	0,33
DS050020043	2	50	20	59	M54x1.5	22	43	35	0,53
DS050025043	2	50	25	"	"	"	"	"	0,46
DS050028043	2	50	28	"	"	"	"	"	0,45
DS050030043	2	50	30	"	"	"	"	"	0,39
DS050032043	2	50	32	"	"	"	"	"	0,4
DS050035043	2	50	35	"	"	"	"	"	0,3
DS050035038	2	50	35	"	"	17	38	30	0,29
DS055025043	2	55	25	64	M60x1.5	21	43	35	0,68
DS055030043	2	55	30	"	"	"	"	"	0,54
DS055035043	2	55	35	"	"	"	"	"	0,45
DS060025050	2	60	25	69	M64x1.5	27	50	40	0,95
DS060030050	2	60	30	"	"	"	"	"	0,8
DS060035050	2	60	35	"	"	"	"	"	0,7
DS060040050	2	60	40	"	"	"	"	"	0,6
DS060045050	2	60	45	"	"	"	"	"	0,48
DS063030050	2	63	30	73	M68x1.5	25	50	40	1,08
DS063032050	2	63	32	"	"	"	"	"	0,9
DS063035050	2	63	35	"	"	"	"	"	0,98
DS063036050	2	63	36	"	"	"	"	"	0,8
DS063040050	2	63	40	"	"	"	"	"	0,62
DS063045050	2	63	45	"	"	"	"	"	0,62
DS065030050	2	65	30	74	M69x1.5	25	50	40	1,25
DS065035050	2	65	35	"	"	"	"	"	1,11
DS065040050	2	65	40	"	"	"	"	"	0,98
DS065045050	2	65	45	"	"	"	"	"	0,72
DS070025050	2	70	25	79	M74x1.5	27	50	40	1,3
DS070030050	2	70	30	"	"	"	"	"	1,17
DS070035050	2	70	35	"	"	"	"	"	1,06
DS070040050	2	70	40	"	"	"	"	"	0,94
DS070045050	2	70	45	"	"	"	"	"	0,76
DS070050050	2	70	50	"	"	"	"	"	0,66

## Dławnica standardowa DS

kod	typ	ØR	ØT	ØRZ	G	DG	D	DP	kg
DS075030060	2	75	30	89	M80x2	33	60	50	1,72
DS075035060	2	75	35	"	"	"	"	"	1,62
DS075040060	2	75	40	"	"	"	"	"	1,46
DS075045060	2	75	45	"	"	"	"	"	1,33
DS080030060	2	80	30	94	M85x2	33	60	50	2,25
DS080035060	2	80	35	"	"	"	"	"	1,88
DS080040060	2	80	40	94	M85x2	33	60	50	1,73
DS080045060	2	80	45	"	"	"	"	"	1,58
DS080050050	2	80	50	"	"	"	"	"	1,42
DS080055060	2	80	55	"	"	"	"	"	1,4
DS080060060	2	80	60	"	"	"	"	"	1,38
DS085035060	2	85	35	99	M90x2	33	60	50	2,15
DS085040060	2	85	40	"	"	"	"	"	2
DS085045060	2	85	45	"	"	"	"	"	1,85
DS085050060	2	85	50	"	"	"	"	"	1,67
DS090040060	2	90	40	104	M95x2	33	60	50	2,31
DS090045060	2	90	45	"	"	"	"	"	2,16
DS090050060	2	90	50	"	"	"	"	"	1,99
DS090060060	2	90	60	"	"	"	"	"	1,57
DS100040082	2	100	40	114	M105x2	51	82	70	4,14
DS100045082	2	100	45	"	"	51	82	70	3,94
DS100050082	2	100	50	"	"	"	"	"	3,71
DS100055082	2	100	55	"	"	51	82	70	3,68
DS100060082	2	100	60	"	"	"	"	"	3,13
DS100063082	2	100	63	"	"	51	82	70	3
DS100070082	2	100	70	"	"	51	82	70	3,08
DS110045072	2	110	45	124	M115x2	41	72	60	4,6
DS110050072	2	110	50	"	"	"	"	"	4,4
DS110060082	2	110	60	"	"	51	82	70	4,9
DS110070082	2	110	70	"	"	"	"	"	4,7
DS120050082	2	120	50	139	M125x2	49	82	70	6,37
DS120060082	2	120	60	"	"	"	"	"	5,3
DS120070082	2	120	70	"	"	"	"	"	4,57
DS120080082	2	120	80	"	"	"	"	"	4
DS125060092	2	125	60	144	M130x2	59	92	80	6,63
DS125070092	2	125	70	"	"	"	"	"	5,83
DS125080092	2	125	80	"	"	"	"	"	5,2
DS125090092	2	125	90	"	"	"	"	"	4,2
DS140070092	2	140	70	159	M145x2	59	92	80	9,12
DS140080092	2	140	80	"	"	"	"	"	8,4
DS150070102	2	150	70	169	M155x2	69	102	90	10,58
DS150080102	2	150	80	"	"	"	"	"	9,75
DS160080102	2	160	80	179	M165x2	69	102	90	13,1
DS160090102	2	160	90	"	"	"	"	"	12,07
DS180100110	3	180	100	210	M188x2.5	58	110	92	15,82
DS180120110	3	180	120	"	"	"	"	"	12,65
DS200100110	3	200	100	218	M208x2.5	58	110	92	20,59
DS200120110	3	200	120	"	"	"	"	"	17,4
DS250120135	3	250	120	268	M258x2.5	80	135	117	40
DS250150135	3	250	150	"	"	"	"	"	33