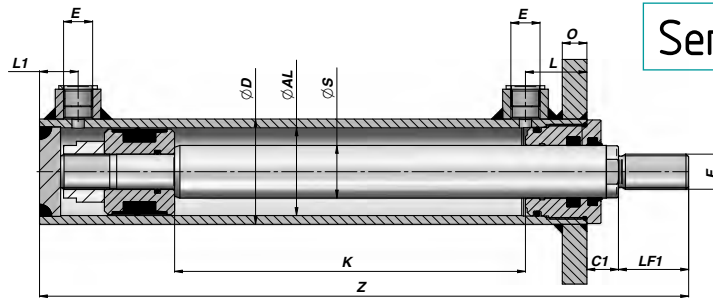
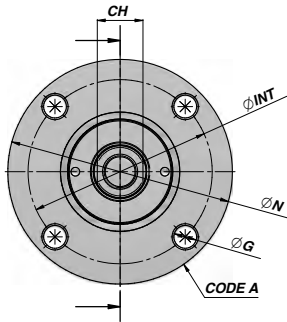
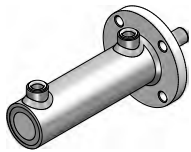


HMF

CILINDRO DOPPIO EFFETTO FLANGIATO
DOUBLE ACTING CYLINDER WITH FLANGE

Series M250



Codice Code	K	Z	kg	E BSP	L	L1	F	LF1	CH	C1	ØN	ØINT	ØG	O	Code A
ØD 50 ØAL 40 ØS 20															
HMF1200100	100	250	2,99												
HMF1200200	200	350	3,78												
HMF1200300	300	450	4,58	1/4"	32	25	M16x1.5	30	18	18	109	87	ø 11 x 4	12	CFL0050109
HMF1200400	400	550	5,38												
HMF1200500	500	650	6,17												
ØD 60 ØAL 50 ØS 30															
HMF2300100	100	270	4,65												
HMF2300200	200	370	5,84												
HMF2300300	300	470	7,08	3/8"	35	25	M20x1.5	40	26	18	128	105	ø 13 x 4	14	CFL0060128
HMF2300400	400	570	8,30												
HMF2300500	500	670	9,54												
ØD 70 ØAL 60 ØS 35															
HMF3350100	100	300	6,73												
HMF3350200	200	400	8,28												
HMF3350300	300	500	9,89	3/8"	40	30	M27x2	50	32	20	142	117	ø 13 x 4	16	CFL0070142
HMF3350400	400	600	11,36												
HMF3350500	500	700	12,94												
ØD 80 ØAL 70 ØS 40															
HMF4400100	100	312	8,64												
HMF4400200	200	412	10,55												
HMF4400300	300	512	12,46	3/8"	40	30	M30x2	60	36	22	162	127	ø 15 x 4	16	CFL0080162
HMF4400400	400	612	14,23												
HMF4400500	500	712	16,27												
ØD 95 ØAL 80 ØS 50															
HMF5500100	100	345	13,71												
HMF5500200	200	445	16,78												
HMF5500300	300	545	19,92	1/2"	50	40	M36x2	70	45	25	181	149	ø 17 x 6	18	CFL0095181
HMF5500400	400	645	23,15												
HMF5500500	500	745	26,22												
ØD 115 ØAL 100 ØS 50															
HMF6500100	100	375	20,31												
HMF6500200	200	475	23,82												
HMF6500300	300	575	27,35	1/2"	70	40	M36x2	70	45	27	194	162	ø 17 x 6	24	CFL0115194
HMF6500400	400	675	30,86												
HMF6500500	500	775	34,37												

MATERIALE TUBO: ACCIAIO St 52.3 DIN 2393 ISO H9
TUBE MATERIAL : STEEL St 52.3 DIN 2393 ISO H9

MATERIALE ASTA: ACCIAIO UNI C45 SAE 1045 CROMO 25 µm ±5 Rating 9 / 200h ISO 10289 - 1999/ISO 9227-NSS
ROD MATERIAL : STEEL UNI C45 SAE 1045 CHROME 25 µm ±5 Rating 9 / 200h ISO 10289 - 1999/ISO 9227-NSS

CARATTERISTICHE TECNICHE : VEDI PAGINA 30 - TECHNICAL SPECIFICATIONS : SEE PAGE 30